

# INK JET PRINTER

# HITACHI

Continuous Ink Jet Printer for Industrial Marking

## Hitachi IJ Printer **PB model**

with Large Liquid Crystal Touch Panel (8.9 inch)

**User-friendly !**

**Cost performance !**

**Light & Small !**



# Hitachi IJ Printer PB model

## More Reliability

Full protection against dust and water jets in harsh environment.  
[IP45 (Test Specification:IEC60529:2001)]

New viscosity control and current ink density control help to achieve stable drop formation and high quality printing.

Improved ink circulation system provides more stable ink return.

More wide operating temperature 32–113°F (JP-K67 ink).

## Integration of high-tech and state-of-the-art design

Easy and quick operation by large liquid crystal display and touch panel (8.9 inch).

Nozzle and gutter are automatically cleaned before stopping.

Small footprint and light.

Solvent evaporation reduced by the ink return system which confines the mixing of air and ink.

Basic printing functions are available.  
[Creation of user pattern, bold printing, etc.]

Various coding functions are available.  
[Date/ time automatic update, numbering, etc.]

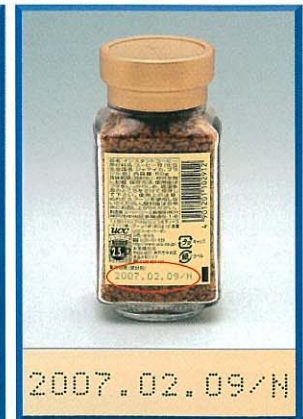
User-friendly coding functions are available.  
[Recall/ save print message, repeat print, product speed matching, etc.]

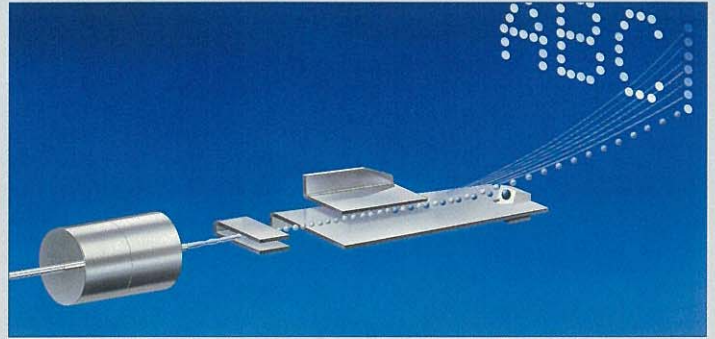
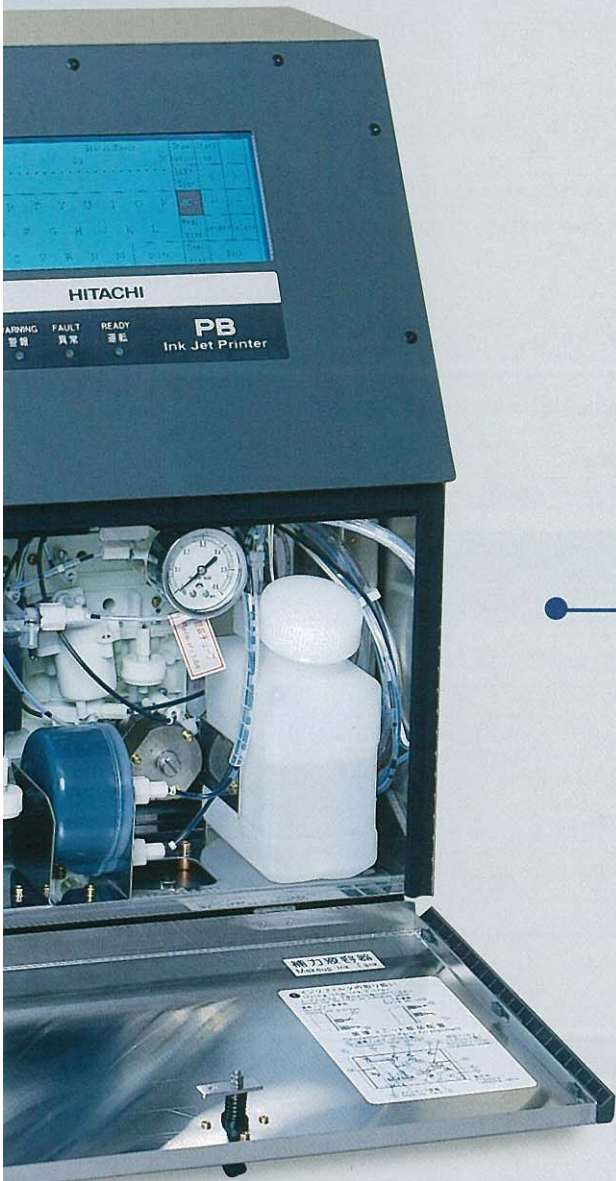
Help functions are available.  
[User help messages, log management, password, etc.]



# Hitachi IJ Printer PB model

The versatility of the Hitachi PB model allows for perfect printing on a broad range of products.

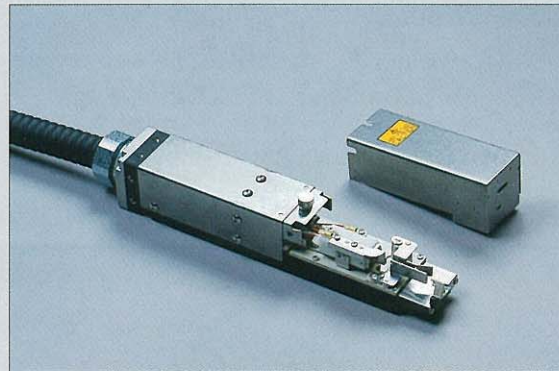




Ink jet printing is carried out by electronically controlled ink drops to ensure perfect printing positioning.

## Easy maintenance

- Easy replacement of ink filter by developed ink system.
- Strong printhead.



1 Line (5 x 7)		2 Line (5 x 7 Bold)		2 Line (7 x 10)	
USE BY 04.03.20 LOT.NO.0123456789					
1 Line (7 x 10)		LOT NO. ABCD-1234		USE BY 03.06.20 MFG.NO.04.03.25	
MFG.NO.04.08.20 HITACHI					
Bold (5 x 7)		Bold (7 x 10)		Logo (7 x 10)	
5x7 DOUB		7x10 DOUB			

# Standard Specifications : PB model

## Printing specifications

Model	PB-260U	PB-260E
Nozzle size	65 μm	
Max. number of lines	Up to 2 Lines	
Maximum number of characters per line	1 Line : Up to 80 characters 2 Lines : Up to 40 characters	
Fonts (Dot Matrix) (Horizontal x vertical)	1-2 Line : 5 x 8 (or 5 x 7), 7 x 10, 1 Line : 12 x 16	
Character height	1 line : 0.08–0.31 inches / 2–8 mm    2 lines total height : 0.18–0.31 inches / 4.5–8 mm	
Display & input device	Display : Liquid crystal display (8.9 inch, blue mode monochrome), back-light provided Input Device : Touch panel, confirmation beep	
Screen language	English	
Maximum print rate	Up to 821 characters/s (Font 5 x 7, space 1, 1 line)	
Standard characters	Alphanumeric (A–Z, a–z, 0–9), symbols (27), space : Total 90	
Number of user pattern storage capacity	Each dot matrix 40 characters	
Print functions	Calendar, counting, data storage (48 data), bold (2 times), speed follow-up, continuous printing, etc	
Input signals	Print target detection, rotary encoder pulse	
Output signals	Print ready, abnormality, alarm (open collector signal)	

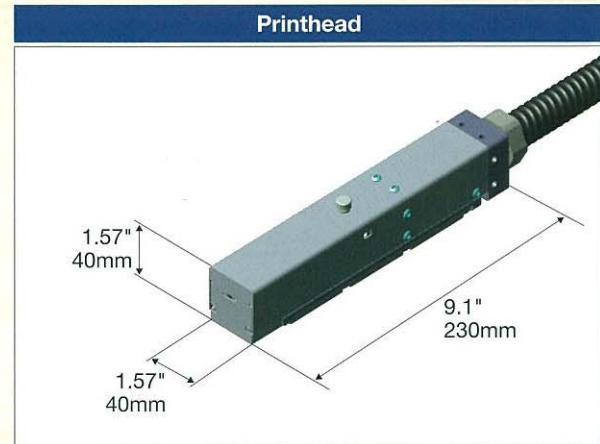
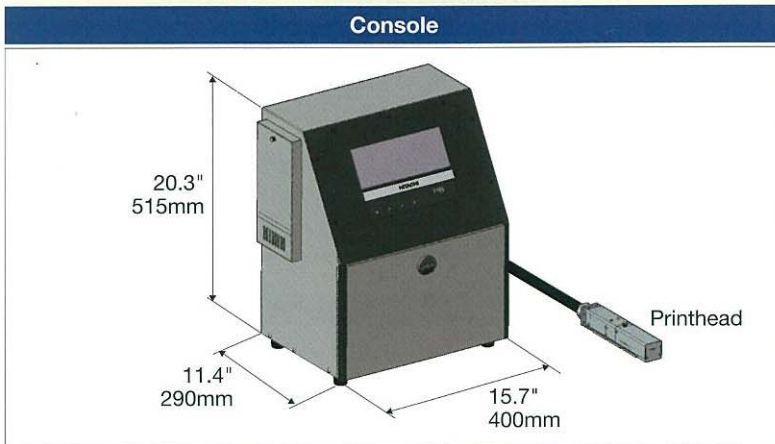
## General specifications

Model	PB-260U	PB-260E
Printhead umbilical length	9.8 feet / 3m	
Operating temperature range	32–113F / 0–45 °C	
Humidity range	30–90% R.H.*(no condensation)	
Power supply (Automatic Voltage selection)	AC 100–120 V±10% 50/60 Hz 150 VA	AC 100–120 / 200–240V±10 % 50/60 Hz 150 VA
Cabinet	Stainless Steel / IP45	
Overall size(width x depth x height)	400 x 290 x 515 mm / 15.7 x 11.4 x 20.3 inches	
Approximate weight	55 lbs / 25kg	
Approval	UL, cUL	CE,C-Tick

\*Note : When humidity is more than 85 % RH, please purge inside of print head by air.

Information in this brochure is subject to change without notice.

## Dimensions of Console and Printhead



For further information, please contact your nearest sales representative.

